

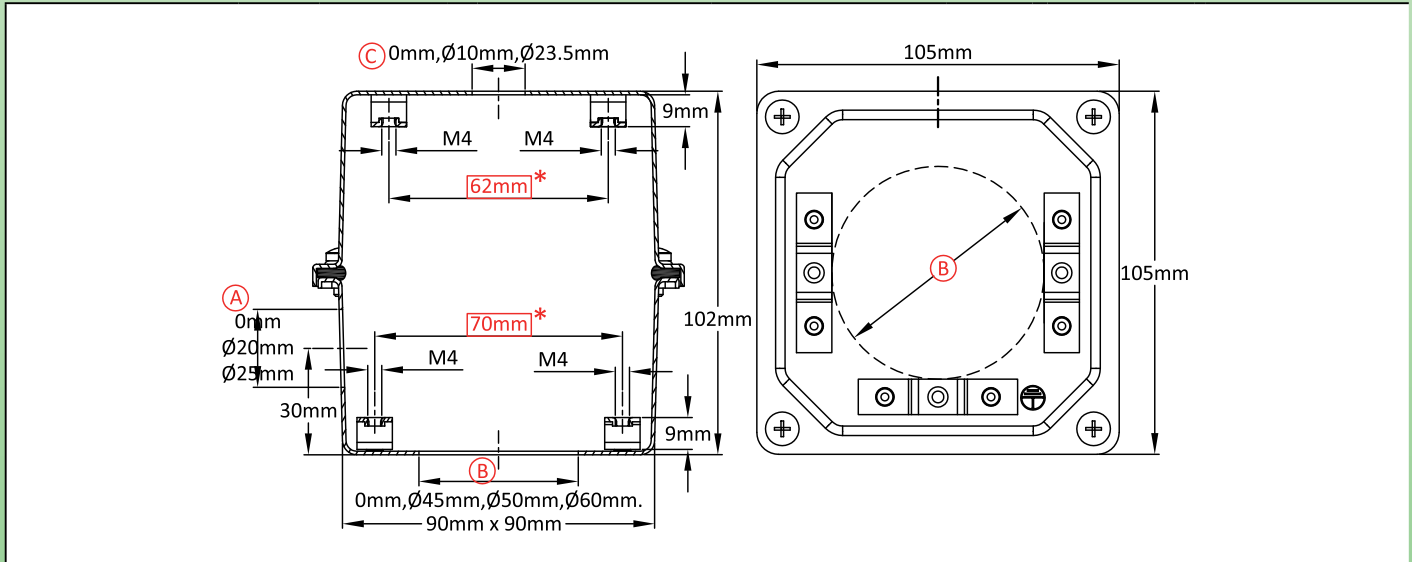
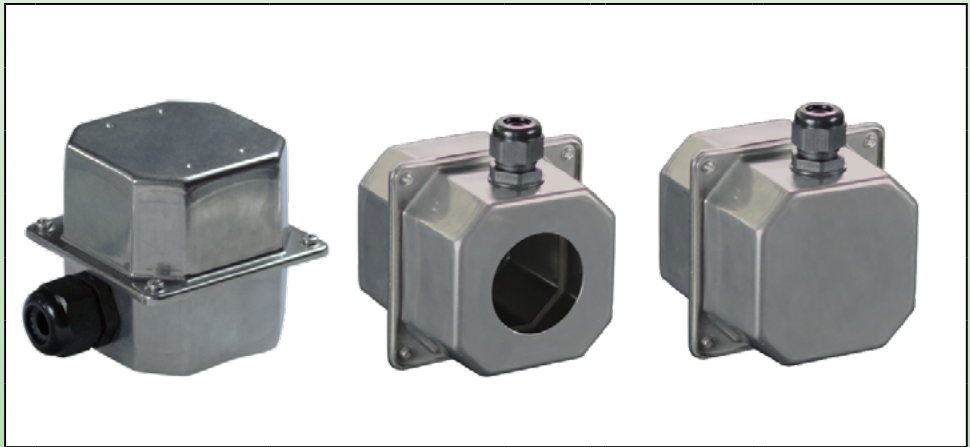
Medium size enclosure for immersion heater or temperature sensor



Because of permanent improvement of our products, drawings, descriptions, features used on these data sheets are for guidance only and can be modified without prior advice

Size(mm)	Volume(cm ³)	Material	Protection grade		Model
105 × 105 × 102	757	stainless steel	IP69K	IK7	Y3S5

Suitable for
<input type="checkbox"/> Temperature sensor
<input checked="" type="checkbox"/> Immersion heater
<input checked="" type="checkbox"/> Finned heater
<input checked="" type="checkbox"/> Thermostat
<input type="checkbox"/> Level sensor
<input checked="" type="checkbox"/> Electronic board



Main references

A (mm)	B (mm)	C (mm)	304	316	A (mm)	B (mm)	C (mm)	304	316	A (mm)	B (mm)	C (mm)	304	316
0	0	0	Y3S5000000G1008	Y3S5000000G1009	20	0	0	Y3S50000120G1008	Y3S50000120G1009	25	0	0	Y3S50000125G1008	Y3S50000125G1009
0	0	10	Y3S5000A000G1008	Y3S5000A000G1009	20	0	10	Y3S5000A120G1008	Y3S5000A120G1009	25	0	10	Y3S5000A125G1008	Y3S5000A125G1009
0	0	23.5	Y3S5000D000G1008	Y3S5000D000G1009	20	0	23.5	Y3S5000D120G1008	Y3S5000D120G1009	25	0	23.5	Y3S5000D125G1008	Y3S5000D125G1009
0	45	0	Y3S5450000G1008	Y3S5450000G1009	20	45	0	Y3S54500120G1008	Y3S54500120G1009	25	45	0	Y3S54500125G1008	Y3S54500125G1009
0	45	10	Y3S5450A000G1008	Y3S5450A000G1009	20	45	10	Y3S5450A120G1008	Y3S5450A120G1009	25	45	10	Y3S5450A125G1008	Y3S5450A125G1009
0	45	23.5	Y3S5450D000G1008	Y3S5450D000G1009	20	45	23.5	Y3S5450D120G1008	Y3S5450D120G1009	25	45	23.5	Y3S5450D125G1008	Y3S5450D125G1009
0	50	0	Y3S5500000G1008	Y3S5500000G1009	20	50	0	Y3S55000120G1008	Y3S55000120G1009	25	50	0	Y3S55000125G1008	Y3S55000125G1009
0	50	10	Y3S5500A000G1008	Y3S5500A000G1009	20	50	10	Y3S5500A120G1008	Y3S5500A120G1009	25	50	10	Y3S5500A125G1008	Y3S5500A125G1009
0	50	23.5	Y3S5500D000G1008	Y3S5500D000G1009	20	50	23.5	Y3S5500D120G1008	Y3S5500D120G1009	25	50	23.5	Y3S5500D125G1008	Y3S5500D125G1009
0	60	0	Y3S5600000G1008	Y3S5600000G1009	20	60	0	Y3S56000120G1008	Y3S56000120G1009	25	60	0	Y3S56000125G1008	Y3S56000125G1009
0	60	10	Y3S5600A000G1008	Y3S5600A000G1009	20	60	10	Y3S5600A120G1008	Y3S5600A120G1009	25	60	10	Y3S5600A125G1008	Y3S5600A125G1009
0	60	23.5	Y3S5600D000G1008	Y3S5600D000G1009	20	60	23.5	Y3S5600D120G1008	Y3S5600D120G1009	25	60	23.5	Y3S5600D125G1008	Y3S5600D125G1009

Cable gland not included in these reference, consult us if you want them.

Red dimensions inside rectangular frames are used for accessories assembly.